

DMX512 Signal Amplifier/Repeater

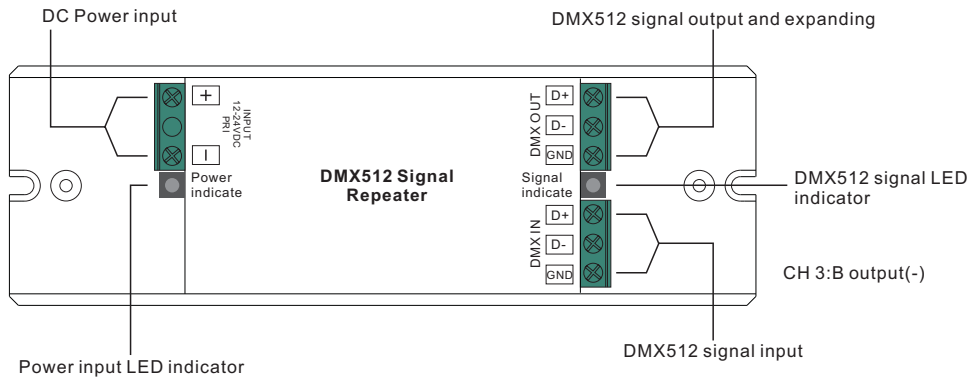
09.02100.04028

Wiring Diagram



Important: Read All Instructions Prior to Installation

Function introduction



Product Data

Input Voltage	Input Current	Output	Size(LxWxH)
12-24VDC	0.5A max	DMX512 signal	145x46.5x16mm

- DMX signal input & output
- Work with DMX series controller to expand DMX signal based on the actual lighting projects.
- Waterproof grade: IP20

Safety & Warnings

- DO NOT install with power applied to device.
- DO NOT expose the device to moisture.

